

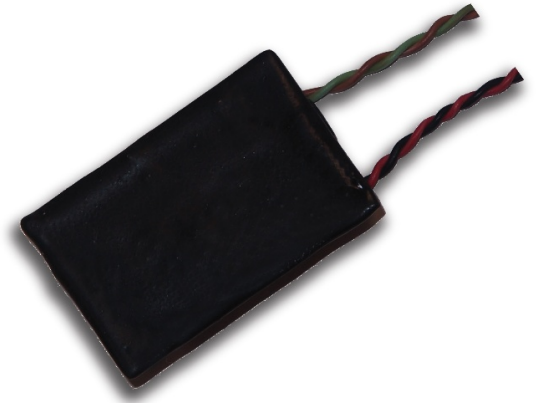
# MINI MODULE 1 INPUT

## AE/SA-1EM

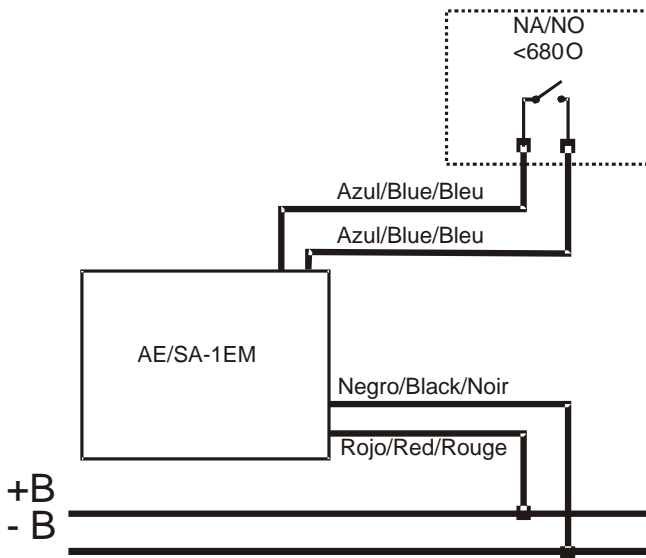
### Description

Developed and manufactured by AGUILERA ELECTRÓNICA for their algorithmic system. They offer the same functionality as the box-mounted modules, but with reduced dimensions of 45X30X10 mm. This means they can be housed inside the equipment that they control or monitor: sirens, pushbuttons, special detectors,...

They are supplied encapsulated, which provides them with excellent insulation for protection against short circuits, dust, moisture, etc.



### Wiring diagram



The AE/SA-1EM module must be installed inside the equipment whose signal must be controlled, or in a box arranged for this purpose.

#### TECHNICAL CHARACTERISTICS:

Supply voltage:	18 ~ 27 V (Bucle Algoritmico tarjeta AE/SA-CTL).
Consumption at rest:	1.0 mA.
Consumption alarm:	1.1 mA.
Algorithmic loop wiring:	2 hilos.
Recommended section	1.5mm.2
	Flexible cable connection
Input:	Normally open potential-free contact
Load resistance:	<680.
Temperature range :	0° - +50° C (room temperature).
Humidity range:	Relative humidity 10% - 90% non-condensing.
Encapsulated:	Sealing shrinking tube - Sumitube B11

#### PHYSICAL CHARACTERISTICS:

Color:	Black
Dimensions:	43 x 28 x 10 mm
Weight:	20 g